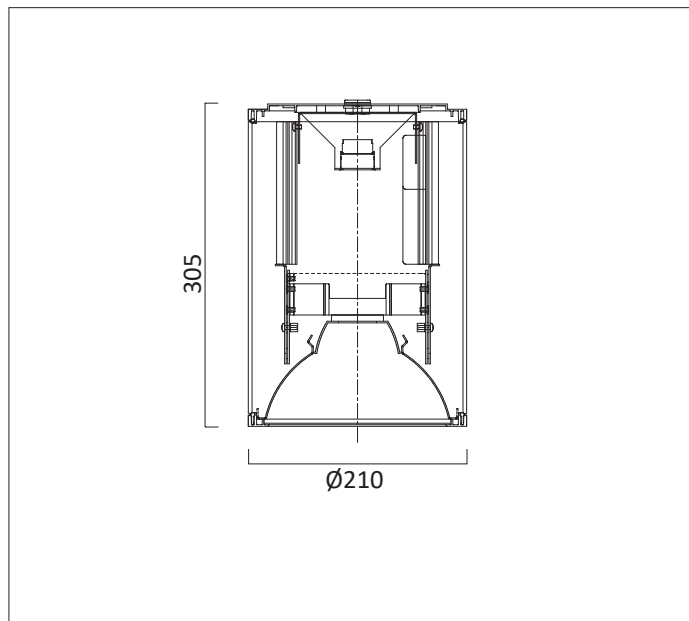


# CIVIC 210 - Bridglux LED



CIVIC 210 Surface mounted downlighter with deep cone satin silver reflector with a choice of beam distribution. CIVIC 210 finished in white, silver or black casing. The high-quality precision light controller and deep cone aluminium reflector gives visual comfort. Driver mounted remotely. The CIVIC 210 is easy to install and incorporates the latest, high efficiency LED technology. Colour consistency through life is ensured by state-of-the-art components and passive cooling aluminium heat sinks. Colour tunable 2700K-6500K rendering Ra >92 3 step Macadam. Life 50000 hours. Other LED engines are available. A choice of drivers provide fixed supply or dimming to project requirements, DALI or CASAMBI enable drivers. IP44 durable, high specification diecast construction, colour powder coat finish provides longevity. Built to conform to the requirements of BS EN 60598-1 and IEC 598.



## PRODUCT CODING EXAMPLE: C972240G050R240

Series	Distribution	Reflector Colour	Initial Lumens	LED	Colour Temp	Driver Protocol	Emergency Protocol	Shape	Casing Finish	IP	Accessories	
<b>C97</b>	2 22° 4 36° 6 50°	2 SATIN SILVER	40 4000 lm	G Bridgelux Tunable CRI >90 3 STEPS		5 DALI 8 CASAMBI	0 NONE E EMERGENCY	R ROUND	2 Silver 3 White 4 Black	4 IP44	0 NONE 1 HONEYCOMB 2 ELLIPTICAL FILM 3 FROSTED GLASS	
<b>C9</b>	<b>7</b>	<b>2</b>	<b>2</b>	<b>40</b>	<b>G</b>	<b>0</b>	<b>5</b>	<b>0</b>	<b>R</b>	<b>3</b>	<b>4</b>	<b>0</b>



## BRIDGELUX - TUNABLE

LIGHT ENGINE 2700-6500K- BXRv-TR-2765G-40A0-A-2x

Initial Output Lumens	Delivered Lumens	CCT	CRI	Pd (W)	Vf forward typical	Current per channel
3548-4026	2625-2979	2700-6500K	92	31.7	34.9-35.3	900mA